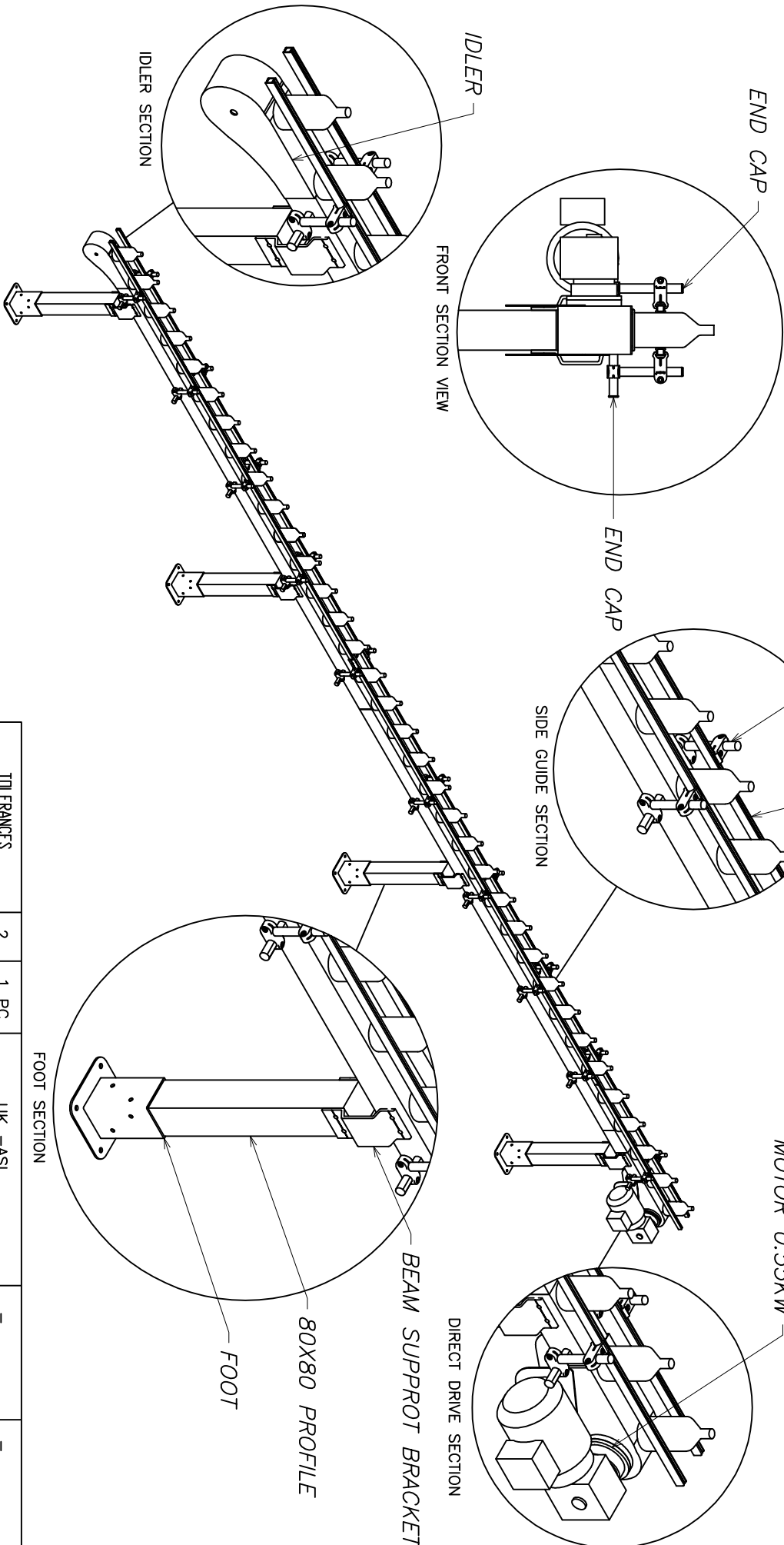


NOTICE OF PROPRIETARY PROPERTY
 THE INFORMATION CONTAIN HEREIN IS THE PROPERTY OF
 FLEXMOVE. THE POSSESSOR AGREES TO MAINTAIN
 THE DOCUMENT IN CONFIDENCE; NOT TO REPRODUCE,
 COPY, REVEAL OR PUBLISH IT IN WHOLE OR PART.

RECTANGULAR GUIDE

SIDE GUIDE HOLDER

TARGET COMPLETION :			
REV	DESCRIPTION	APPROVED	DATE
1			
2			
3			



DWG RELEASE : -
 TARGET DELIVERY : -

REV00

TOLERANCES		UK - ASL	
METRIC			
X	±		
.XX	±		
.XXX	±		
FAC			
±	±		
ANGLE	±		

25-7-07	DATE	APPROVE	SCALE	PROJECT: ASL-EMPTY PLASTIC BOTTLE
KS TAN	DESIGN	KS TAN	1 : 1	
KS TAN	DRAWN			

2	1 PC	UK - ASL	
ITEM	QTY	DRAWING NO.	MATERIAL
			MAT'L-FINISHING

EMPTY PLASTIC CONVEYOR

