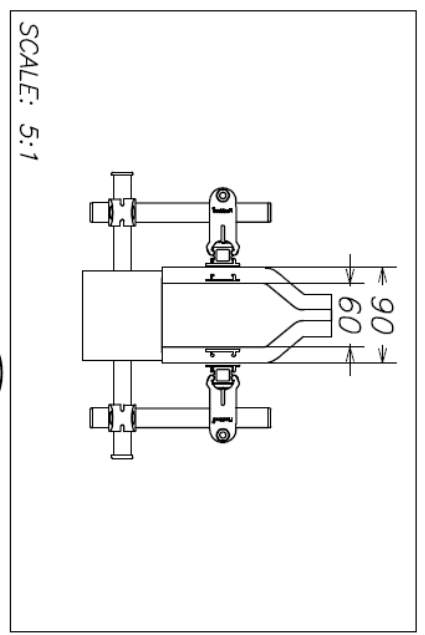
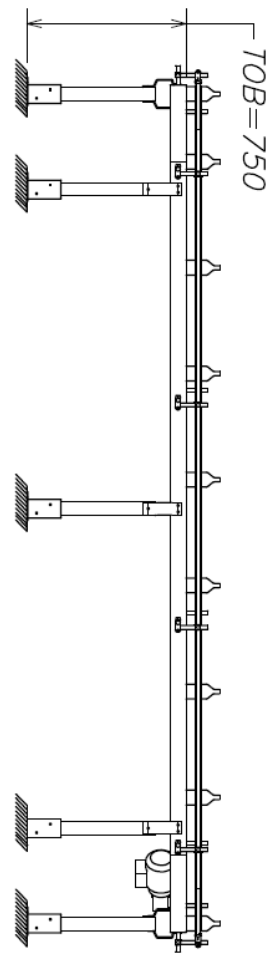
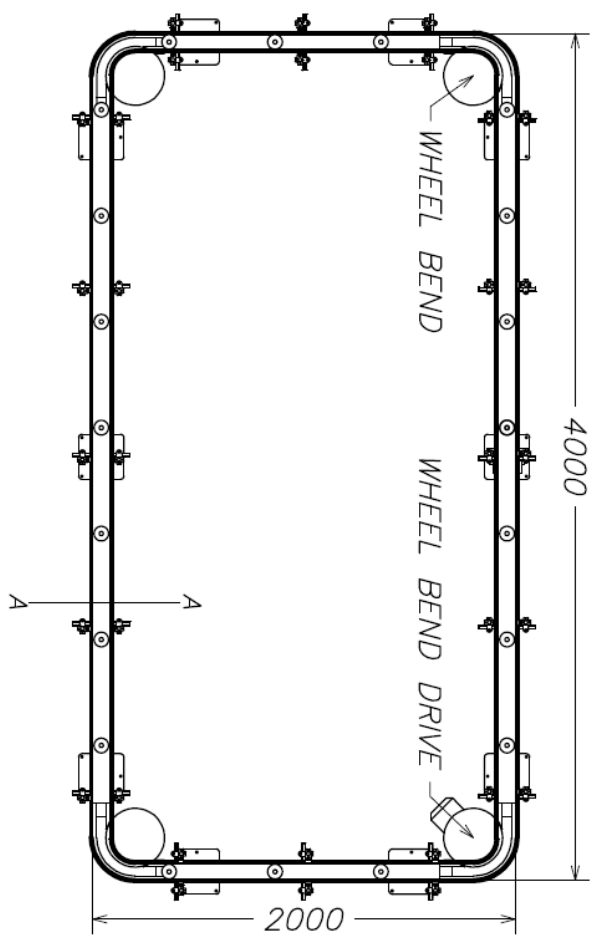
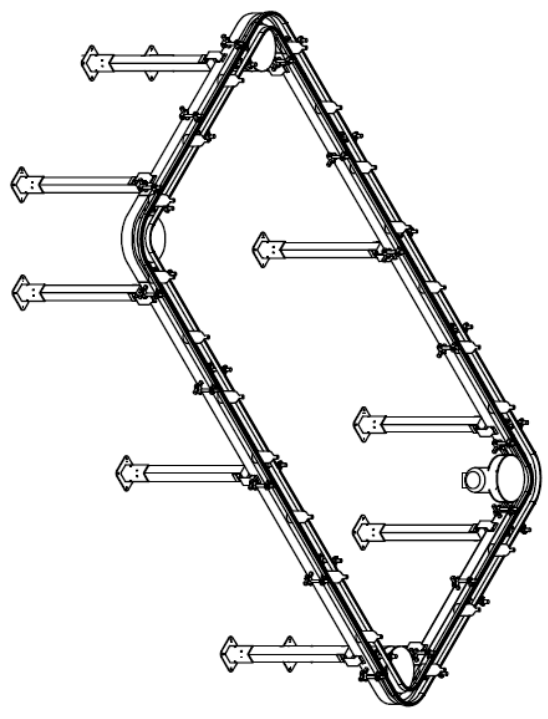


NOTICE OF PROPRIETARY PROPERTY
 THE INFORMATION CONTAINED HEREIN IS THE PROPERTY OF FLEXMOVE. THE POSSESSOR AGREES TO MAINTAIN THE DOCUMENT IN CONFIDENCE, NOT TO REPRODUCE, COPY, REVEAL OR PUBLISH IT IN WHOLE OR PART.



CROSS SECTION A-A VIEW



REV	DESCRIPTION	APPROVED	DATE
1			
2			
3			

DWG RELEASE : -
 TARGET DELIVERY : -

PROPOSAL: REV 00

TOLERANCES		ITEM		DRAWING NO.		MATERIAL	
METRIC		2	1 PC	2X - SQUARE LOOP CONVEYOR	FM SERIES		-
.X	± -						
.XX	± -						
.XXX	± -						
FRAC	± -						
ANGLE	± -						

4-3-08
 DATE

DESIGN
 APPROVE

TITLE
 NULL

PROJECT: ASL

